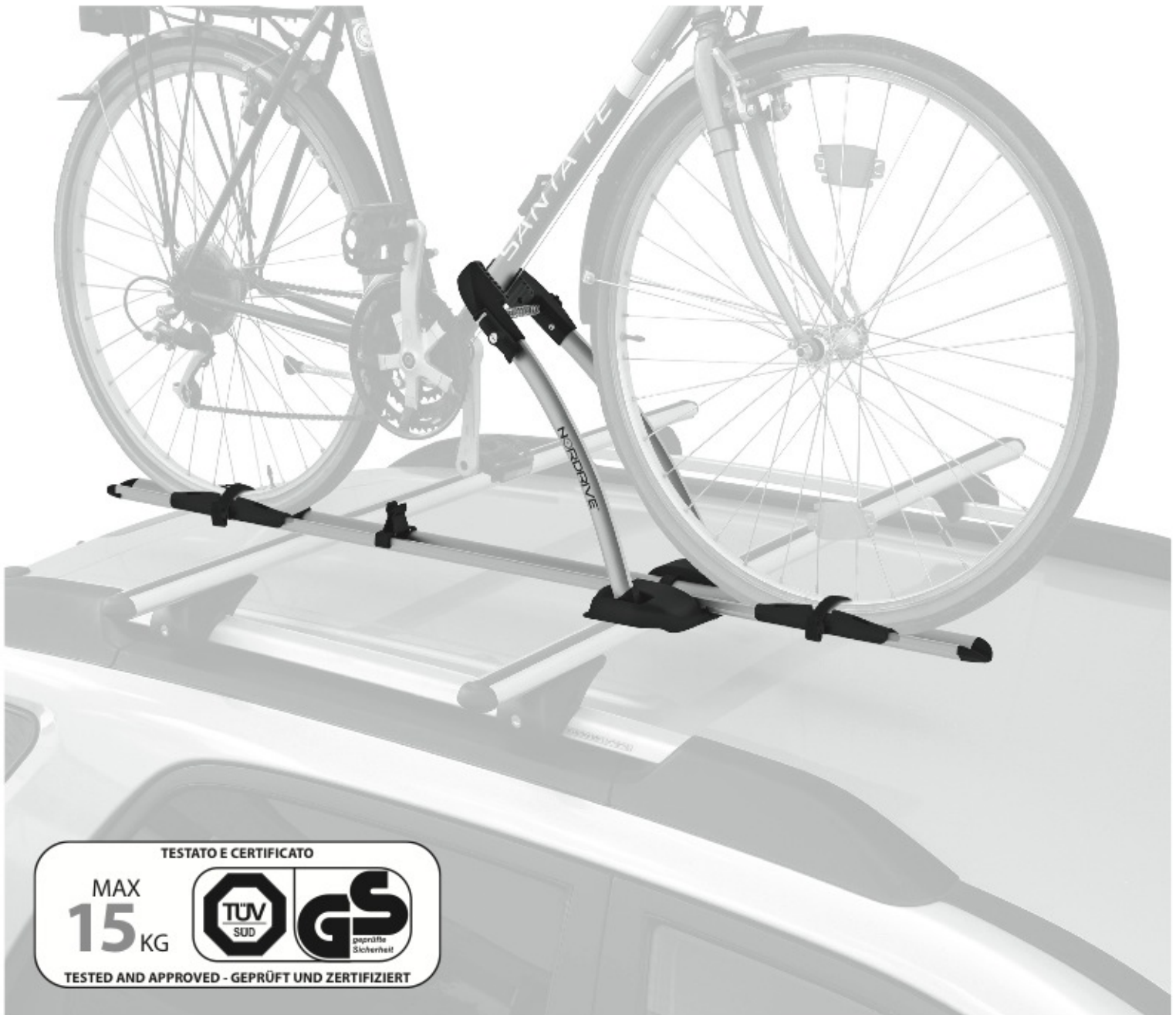


BIKE-BEST

ALLUMINIO / ALUMINIUM



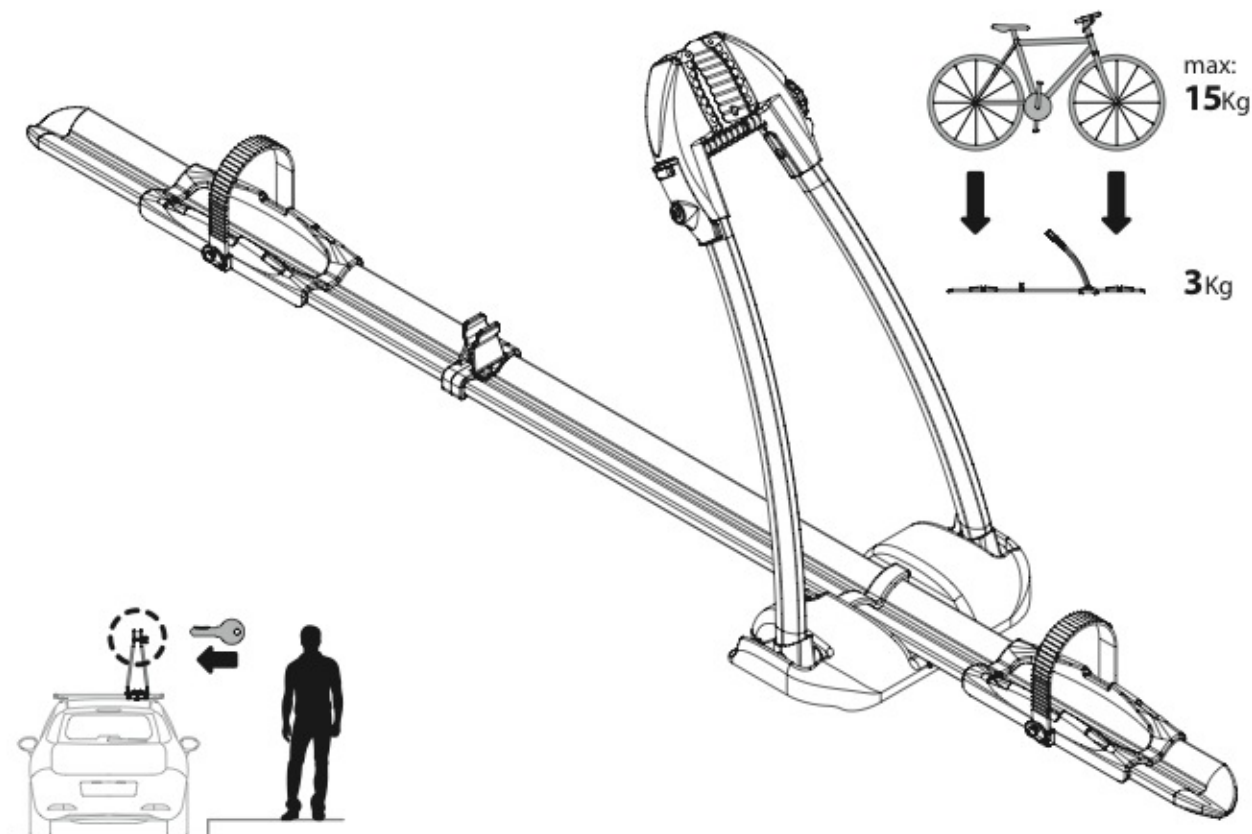
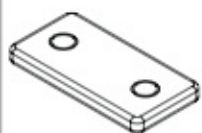
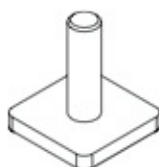
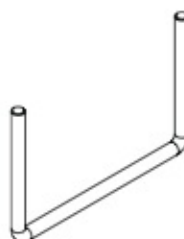
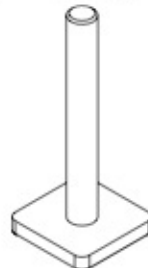
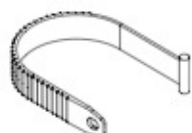
TESTATO E CERTIFICATO

MAX
15 KG



TESTED AND APPROVED - GEPRÜFT UND ZERTIFIZIERT

- | | | |
|------------------------------|---------------------------------|--------------------------------|
| (I) ISTRUZIONI DI MONTAGGIO | (FIN) ASENNUSOHJE | (SLO) NAVODILA ZA PRITRJEVANJE |
| (GB) FITTING INSTRUCTIONS | (EST) PAIGALDUSJUHEND | (HR) UPUTA ZA SASTAVLJANJE |
| (D) MONTAGEANLEITUNG | (LAT) STIPRINĀŠANAS INSTRUKCIJA | (H) A FELSZERELÉS MÓDJA |
| (F) INSTRUCTIONS DE MONTAGE | (LT) PRITVIRTINIMO INSTRUKCIJOS | (GR) Οδηγίες συναρμολόγησης |
| (E) INSTRUCCIONES DE MONTAJE | (PL) INSTRUKCJA MONTAŻU | (TR) MONTAJ TALIMATLARL |
| (P) INSTRUÇÕES DE MONTAGEM | (RUS) Инструкции по установке | (BG) ИНСТРУКЦИИ ЗА МОНТАЖ |
| (NL) MONTAGE-INSTRUCTIES | (CZ) NÁVOD NA MONTÁŽ | (SRB) UPUTSTVA ZA MONTAŽU |
| (S) MONTERINGSANVISNING | (SK) NÁVOD NA MONTÁŽ | |

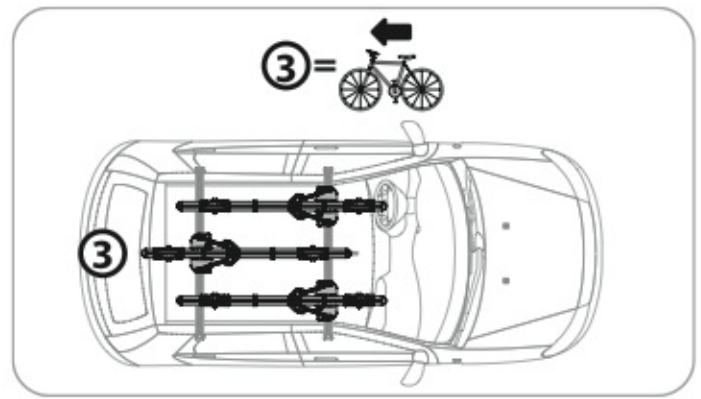
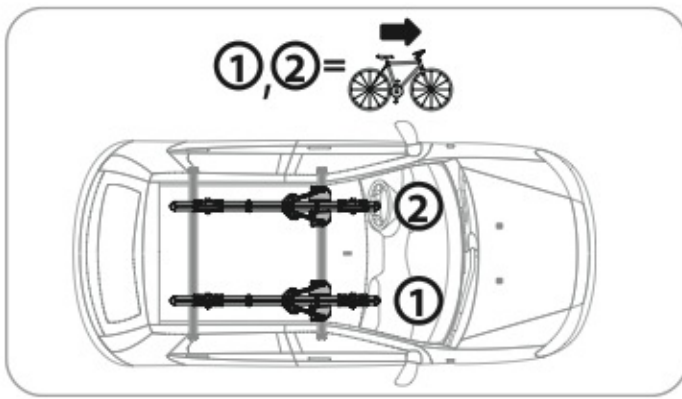
x1**78FE008B x1****60TS6010 x2****81FE6016 x4****62BF0600 x4****67XV3007 x2****75PL019B x2****84NA003B x6****77GO011B x1****77GO006B x1****55FE002B x2****55FE004B x2****81FE6060 x2****40FE007B x1****40FE006B x1****40FE009B x1****43PL003B x2****x1**

CH4

x1

CH10

x3**x1**



1 2

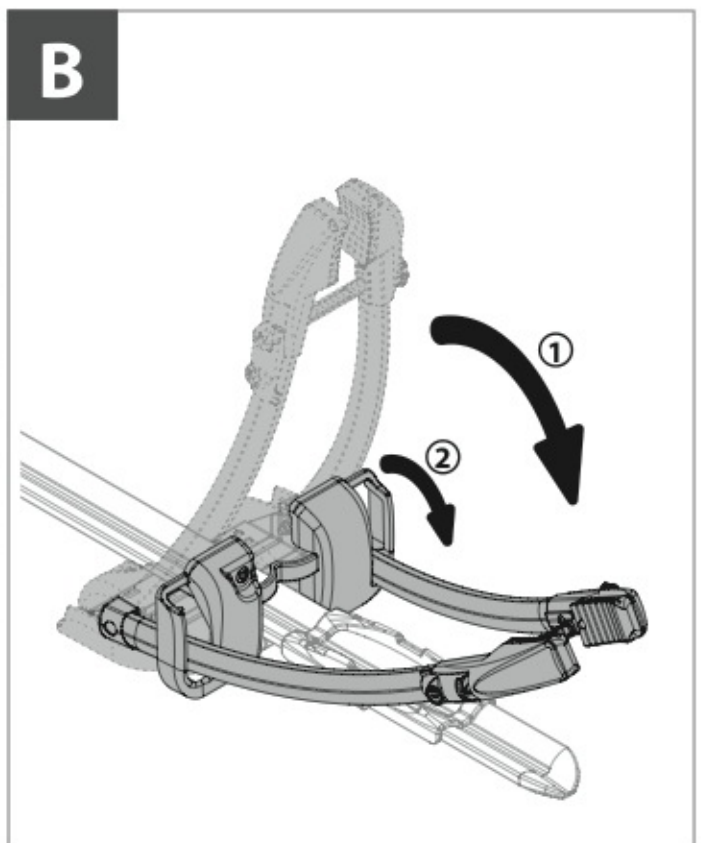
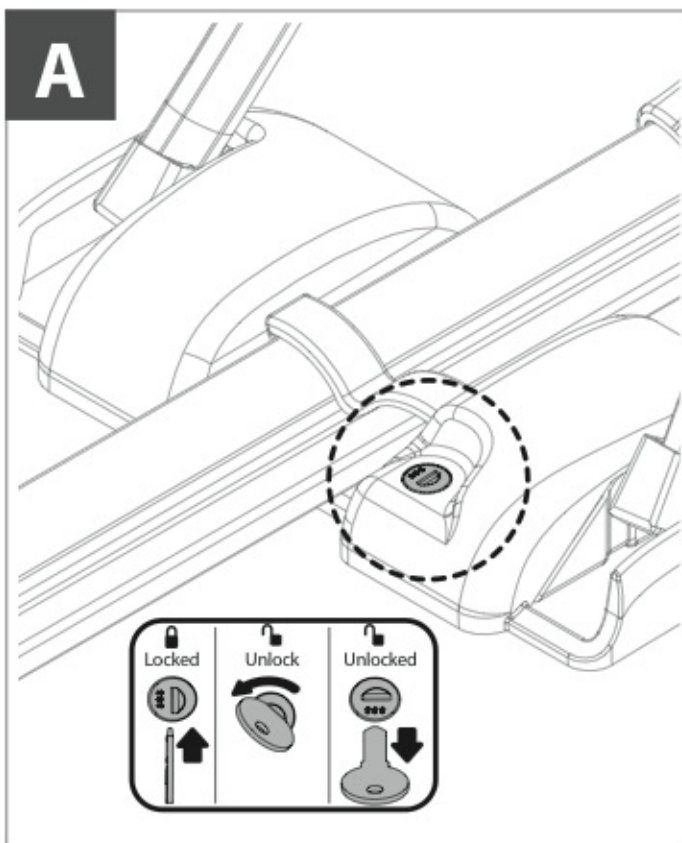


➔ pag. 3, 4, 5

3



➔ pag. 6, 7, 3, 4, 5



C₁

max: **47** mm

max: **90** mm

- ① Barre senza predisposizione
- GB Bars without T-track
- F Barre de toit sans prédisposition
- D Dachträger ohne Ausrüstung



➔ pag. 4

C₂

- ① Barre con predisposizione
- GB Bars with T-track
- F Barre de toit avec prédisposition
- D Dachträger mit Ausrüstung

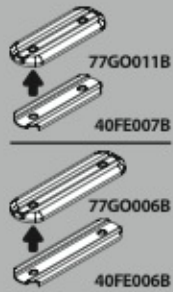


➔ pag. 5

C₁

max:
47
mm

max:
90
mm



60mm

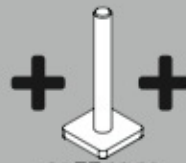


55FE002B

90mm



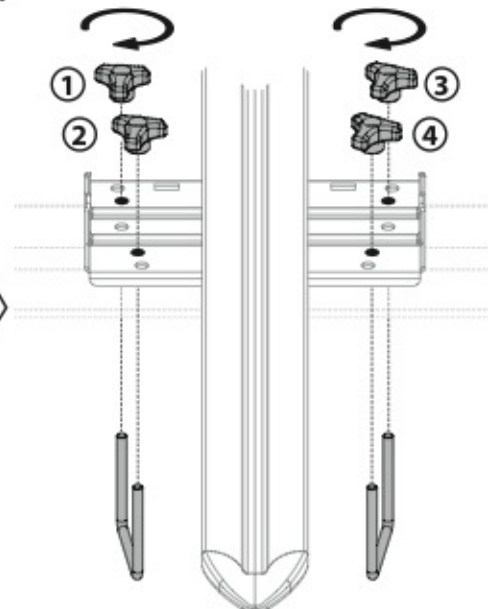
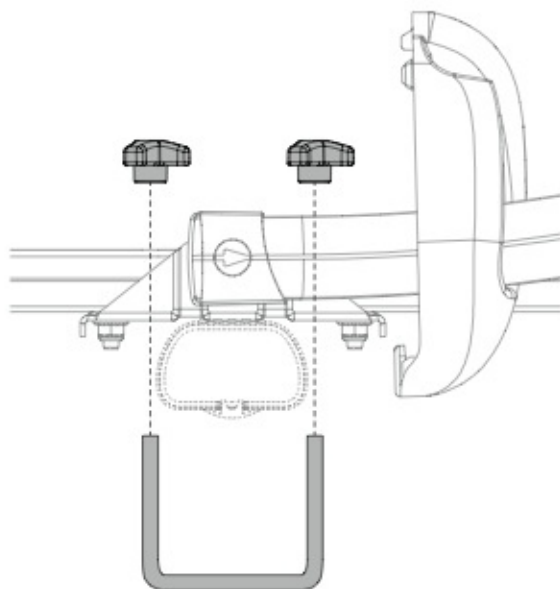
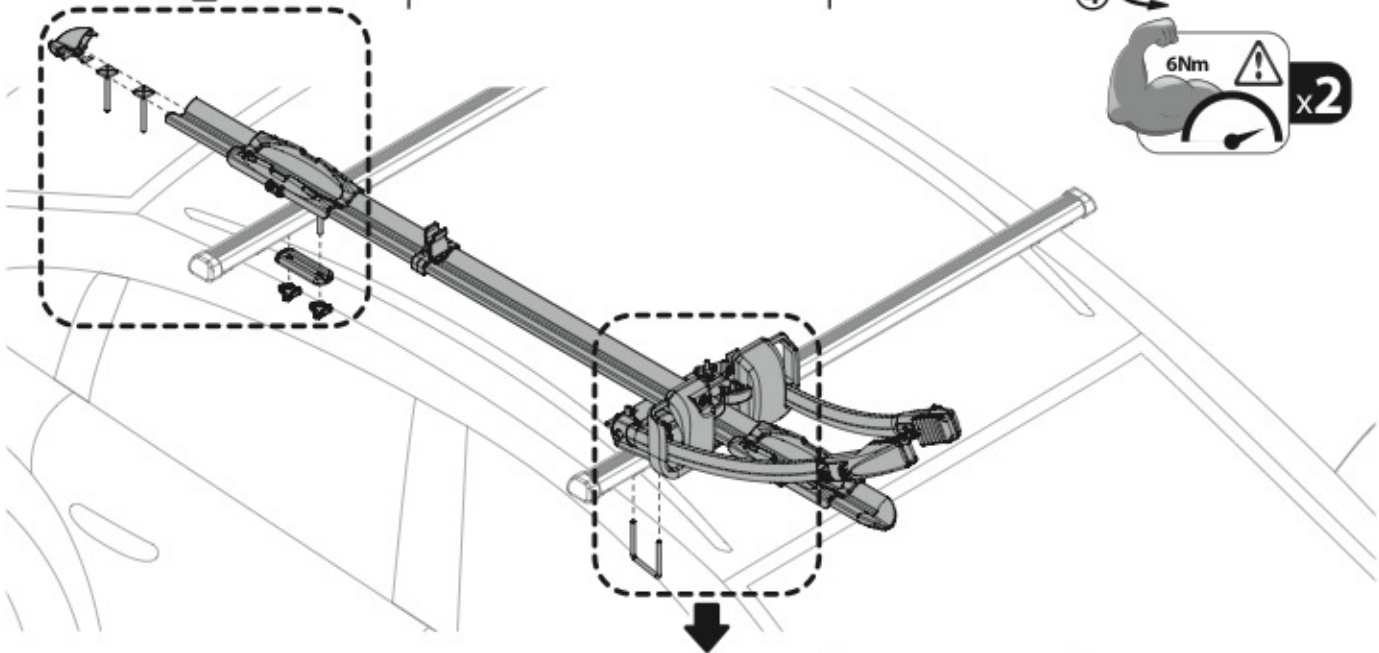
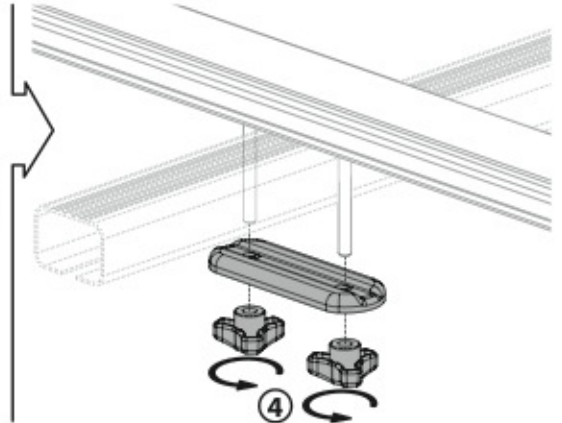
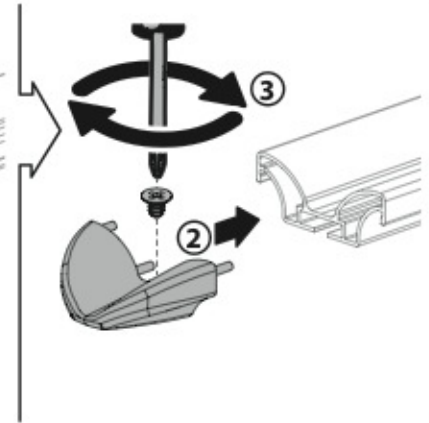
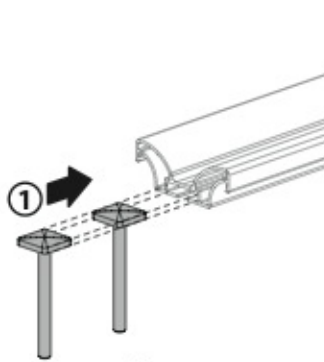
55FE004B

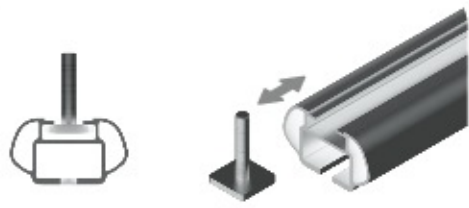


81FE6060



84NA003B

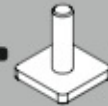


C₂

40FE009B



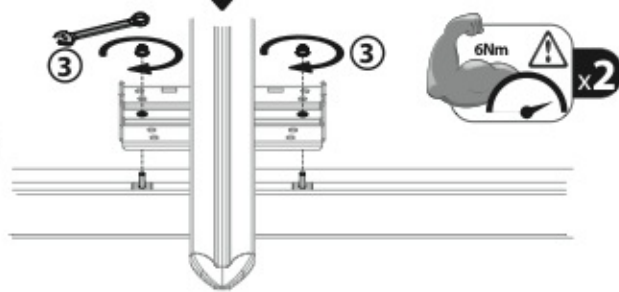
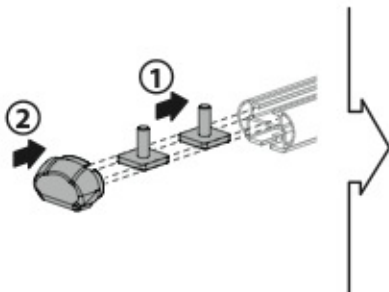
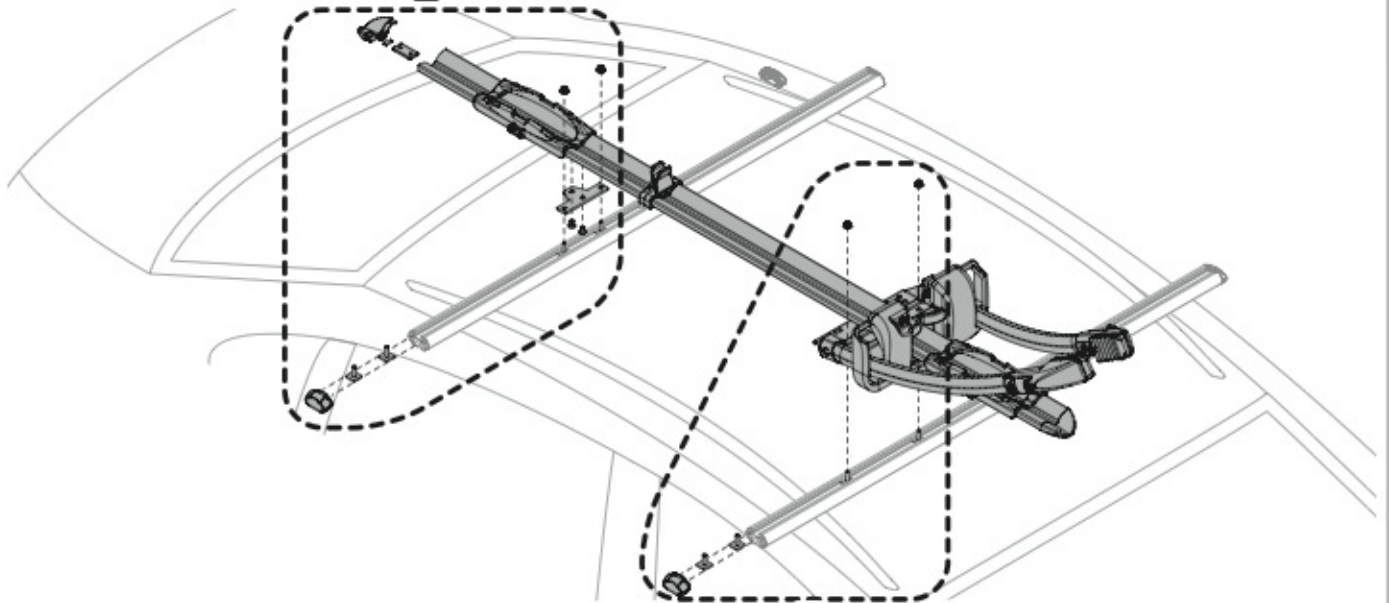
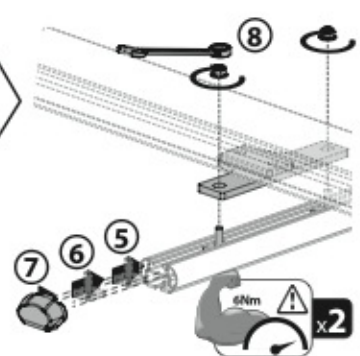
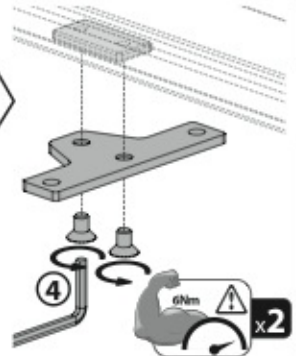
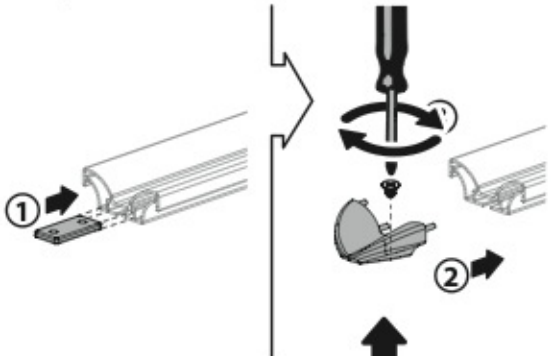
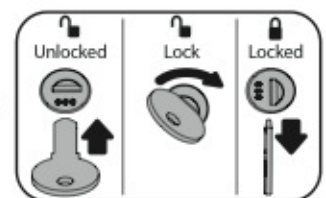
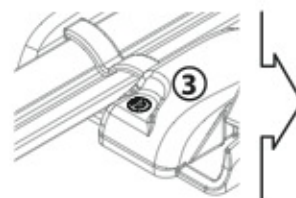
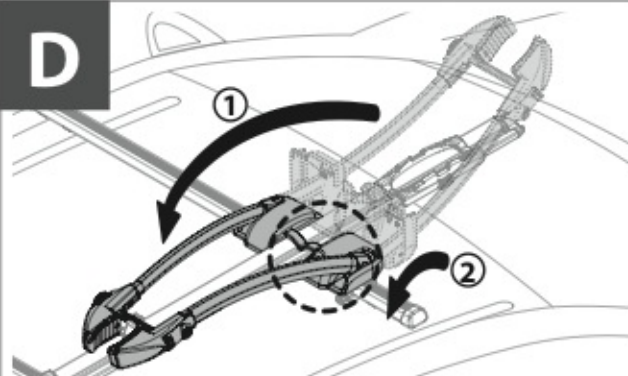
60TS6010



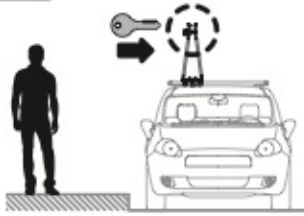
81FE6016



62BF0600

**D**

SWITCH 1



ORIGINAL

DESTRA / RIGHT / DROITE / RECHTS / DERECHA



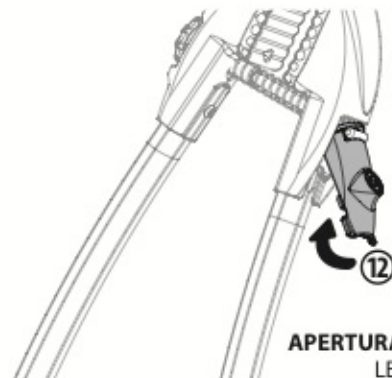
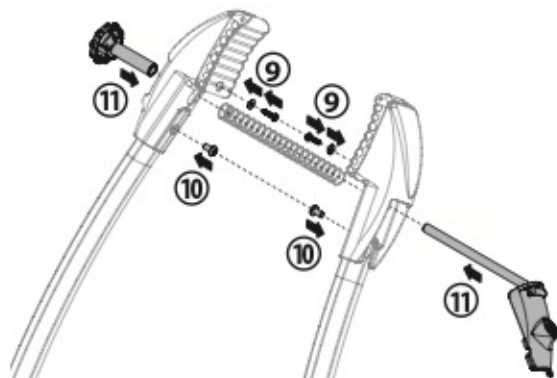
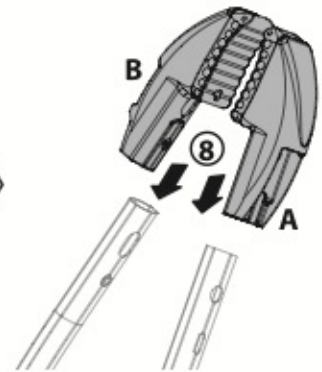
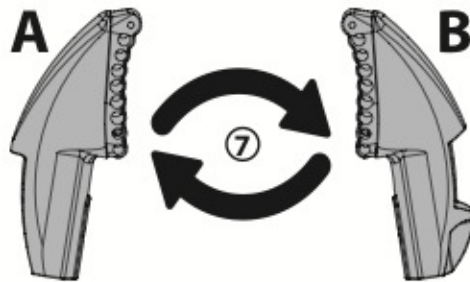
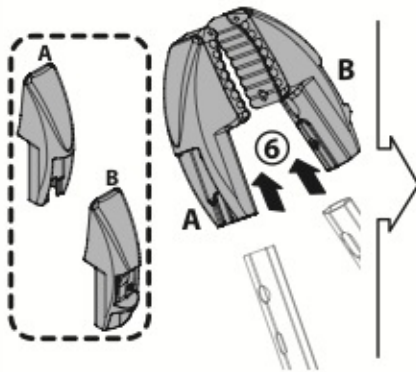
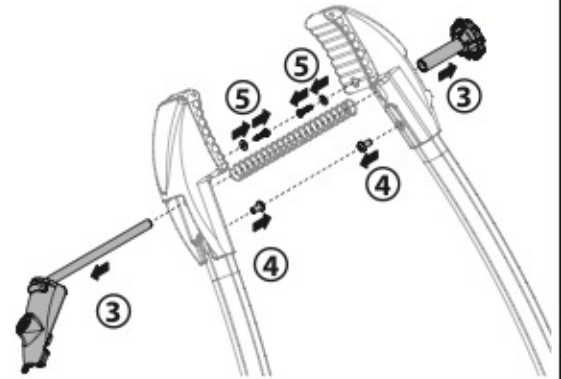
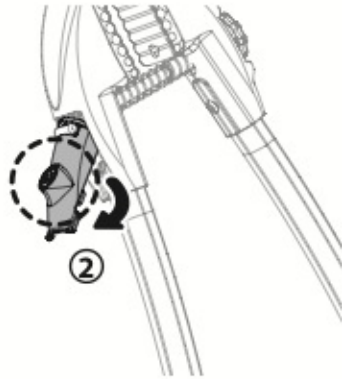
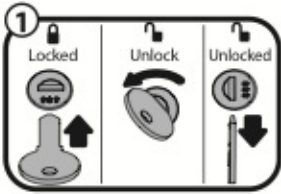
CHANGE



NEW

SINISTRA / LEFT / GAUCHE / LINKS / IZQUIERDA

APERTURA LATO DESTRO RIGHT SIDE OPENING



**APERTURA LATO SINISTRO
LEFT SIDE OPENING**

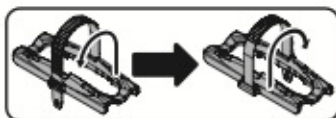
SWITCH 2



ORIGINAL

DESTRA / RIGHT / DROITE / RECHTS / DERECHA

?

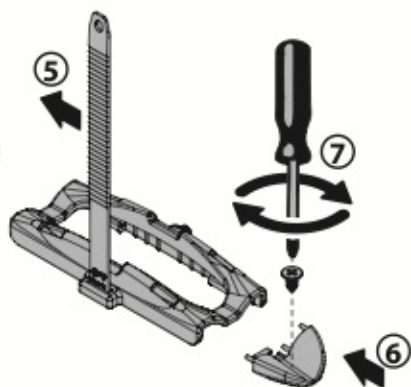
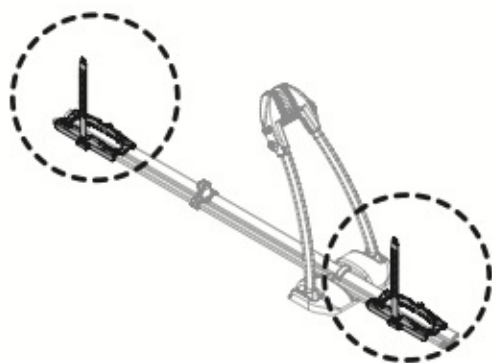
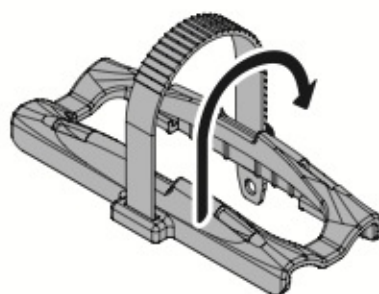
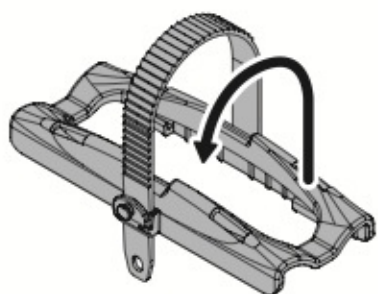
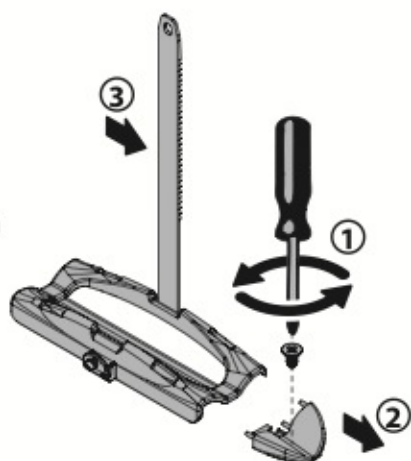
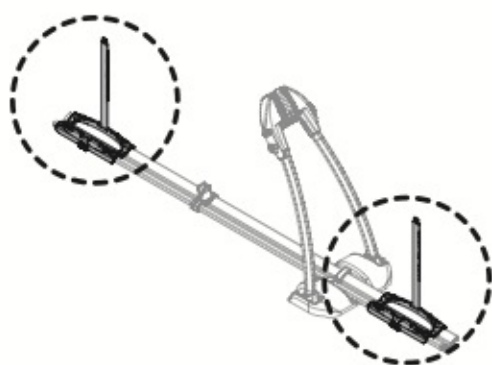


CHANGE



NEW

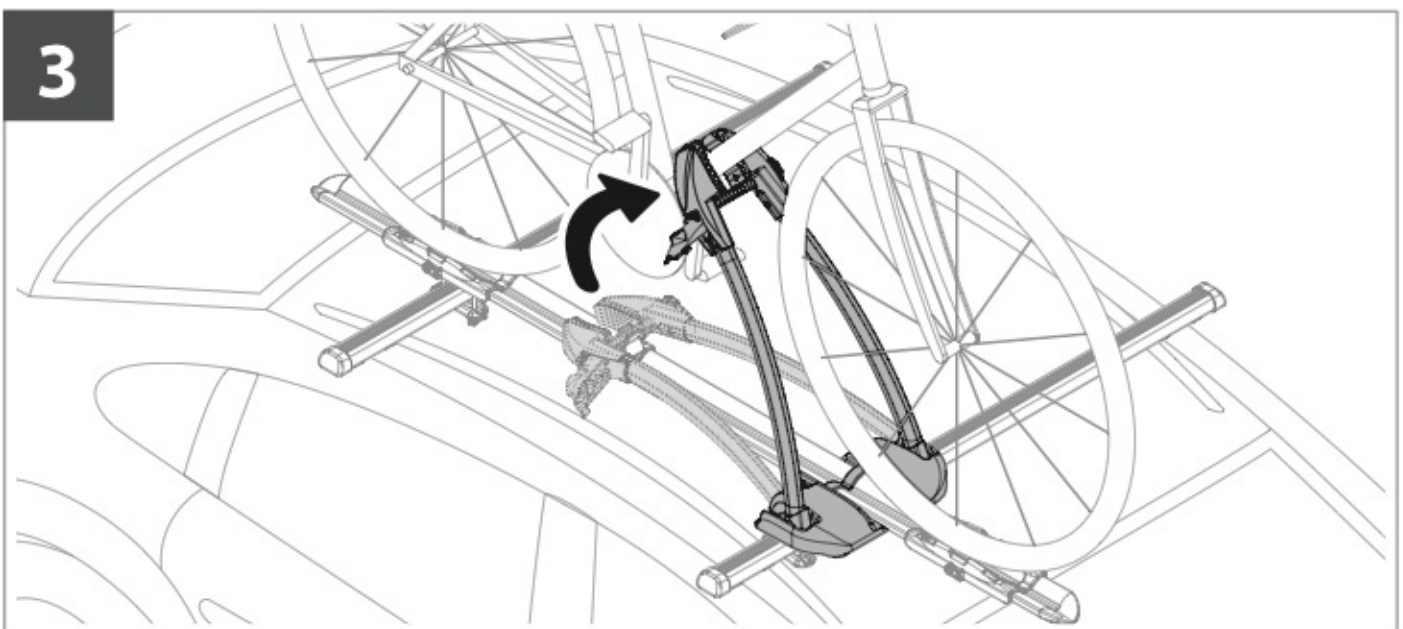
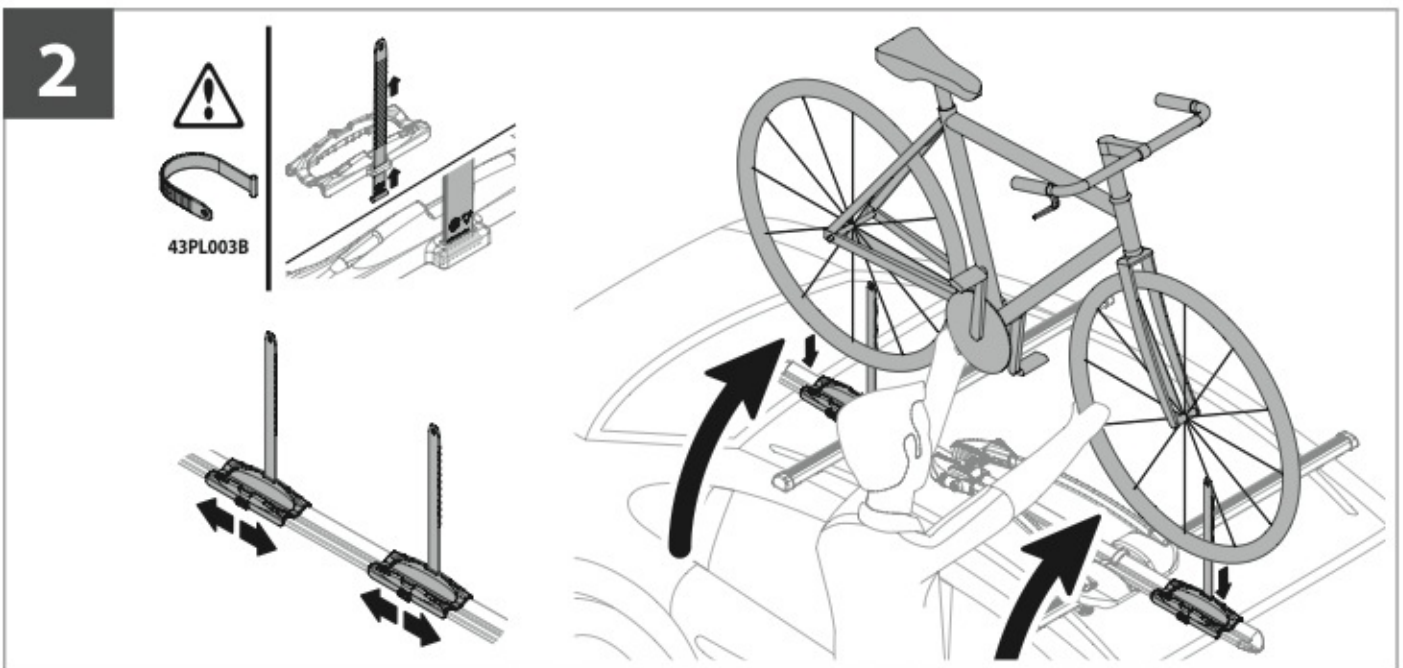
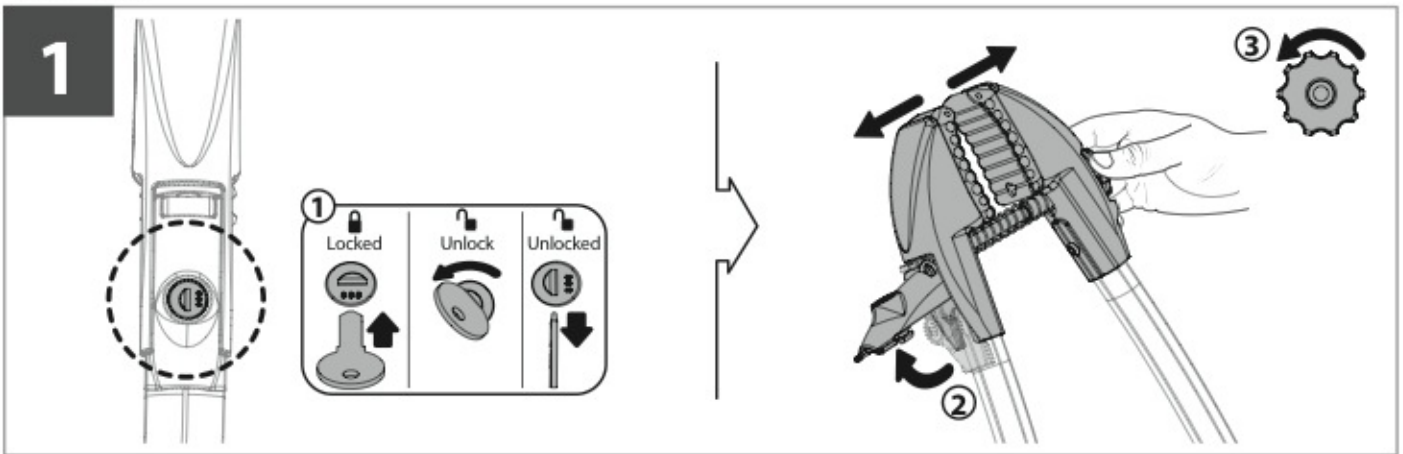
SINISTRA / LEFT / GAUCHE / LINKS / IZQUIERDA



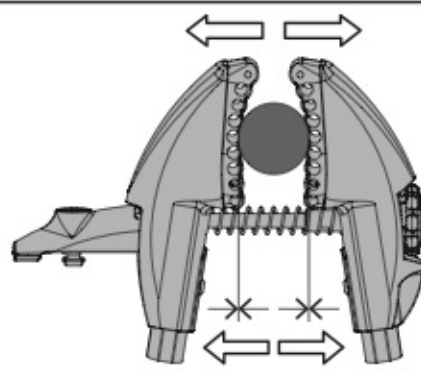
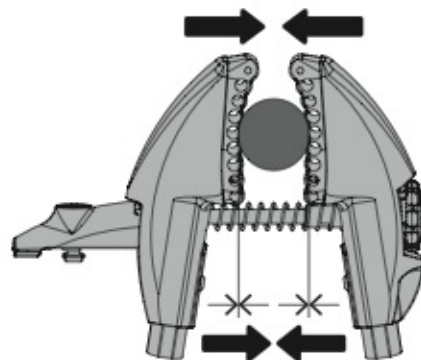


CARICO - LOADING

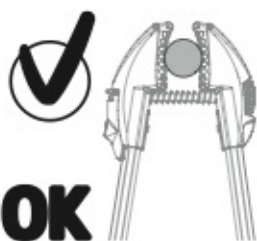
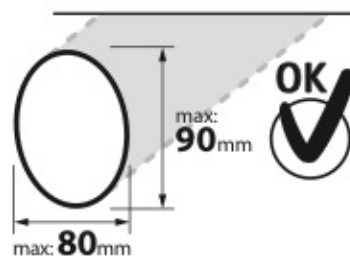
CHARGEMENT
VERLADUNG
CARGA

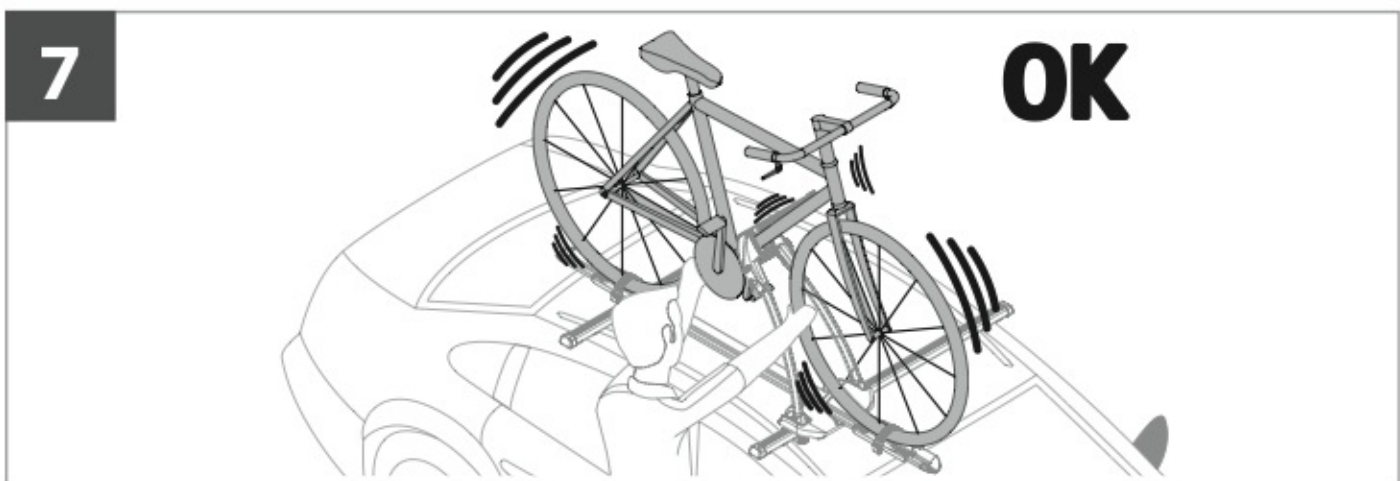
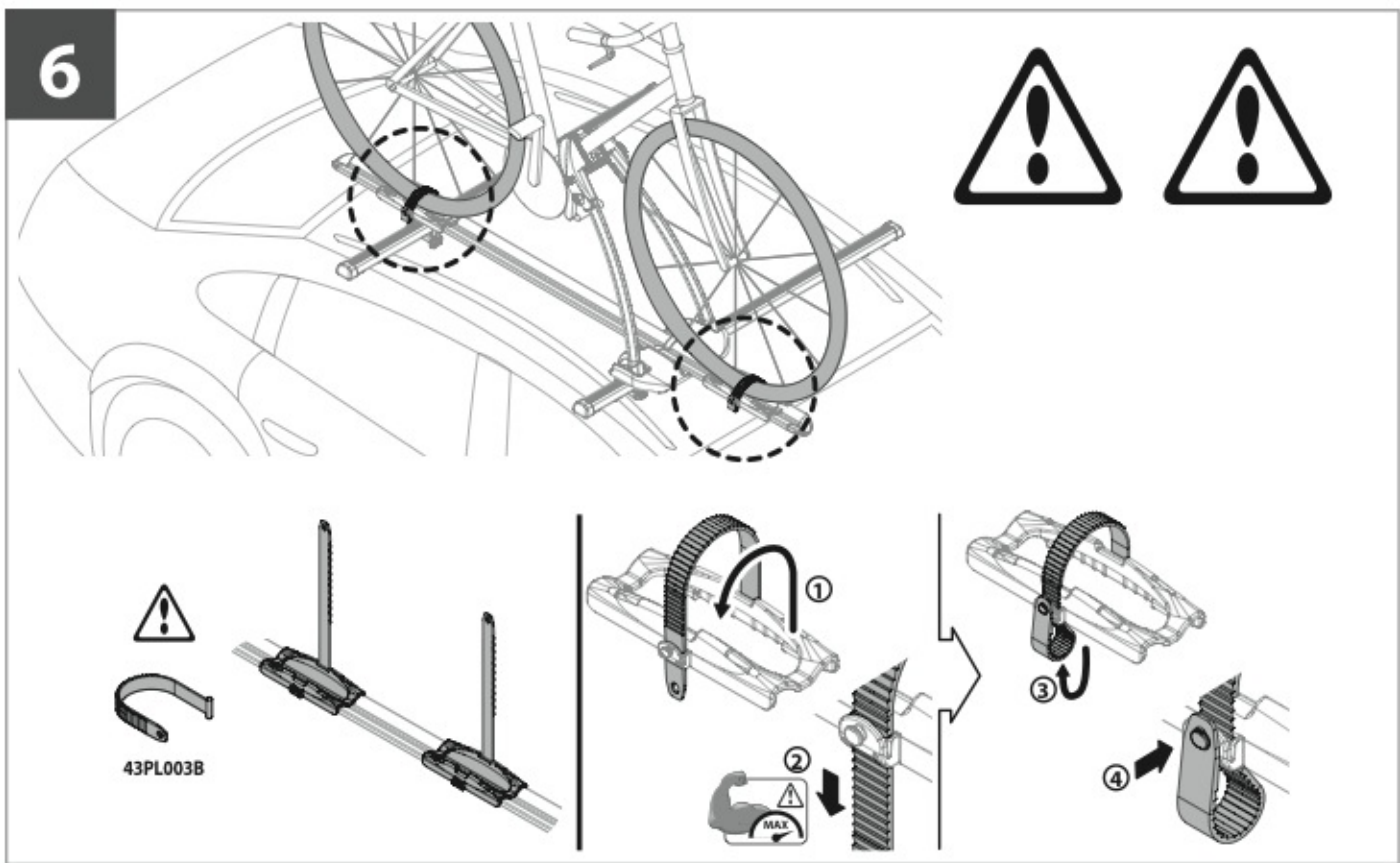
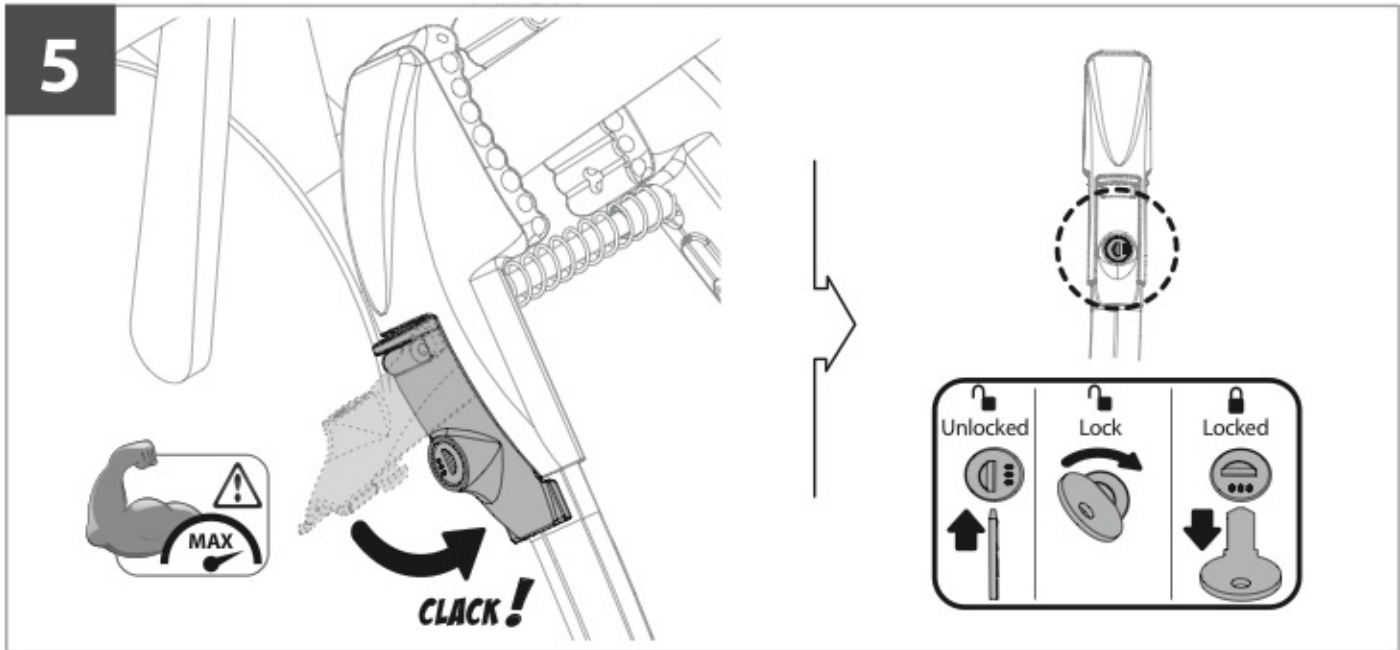


4



ATTENZIONE
WARNING

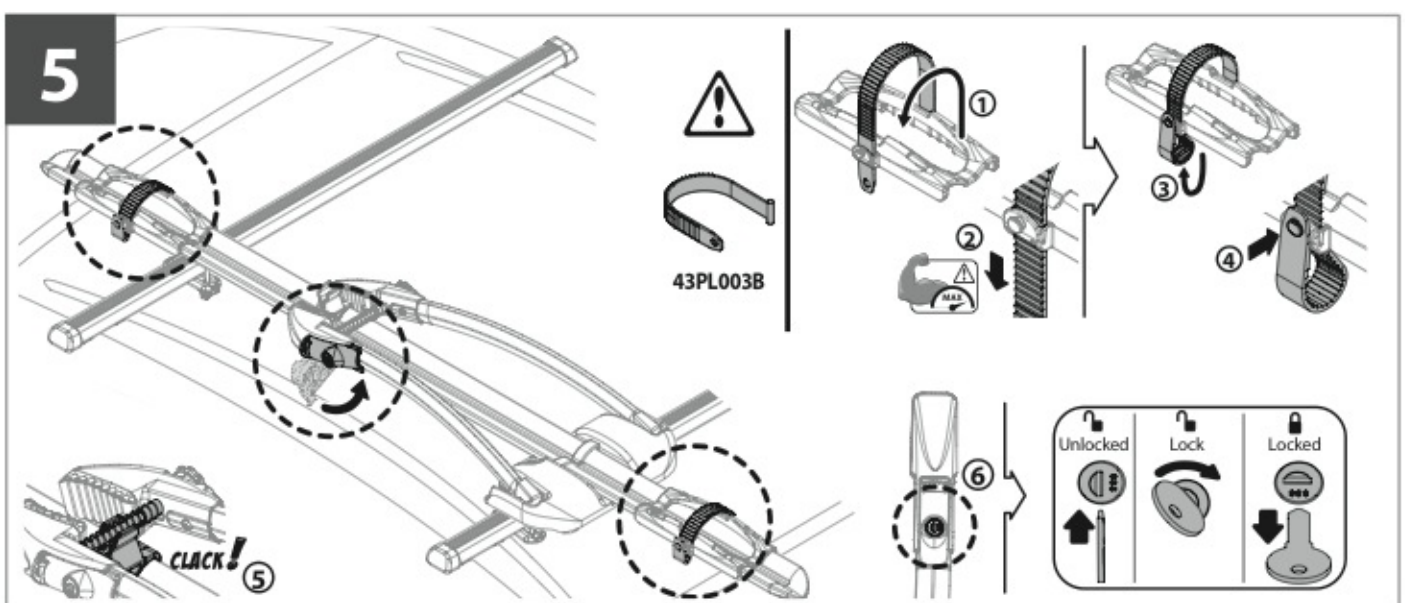
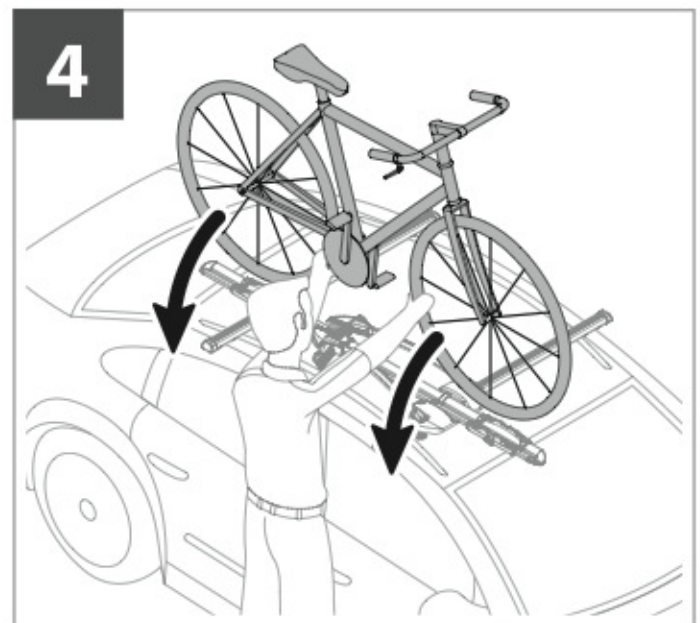
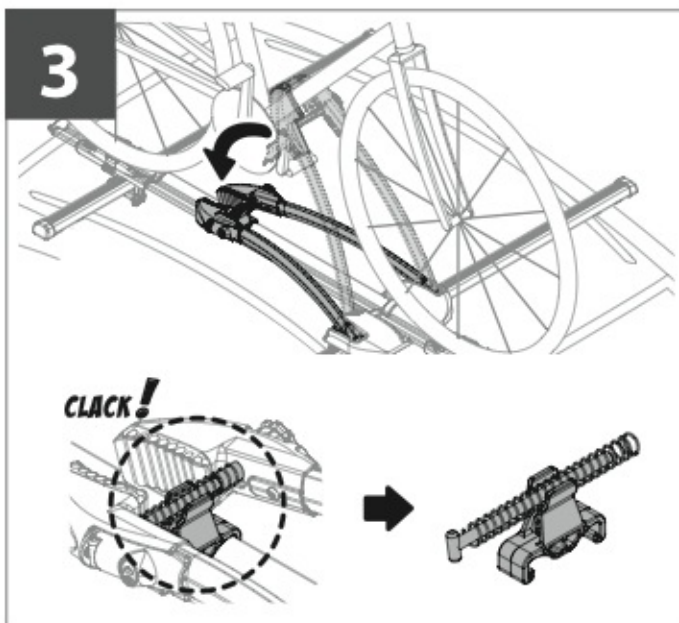
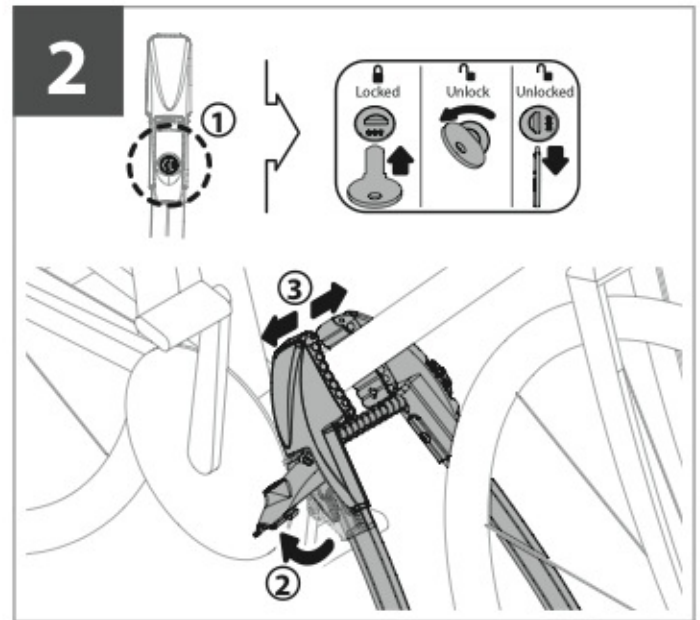
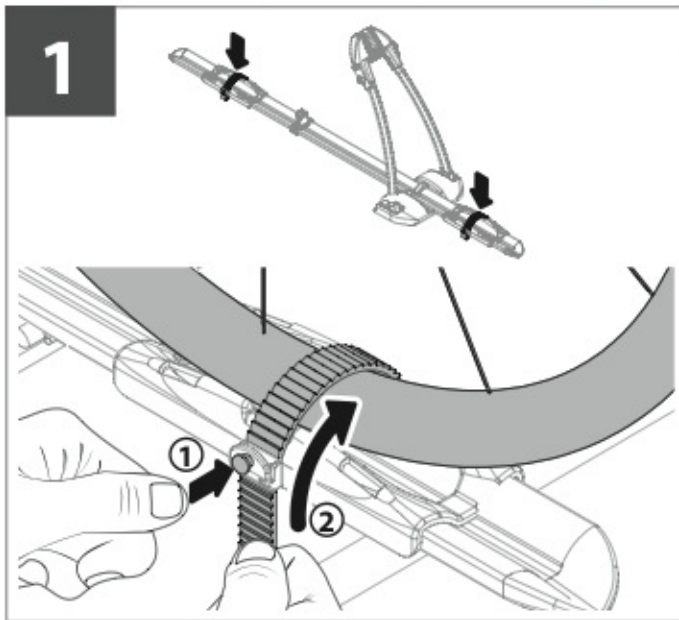






SCARICO - UNLOADING

DÉCHARGEMENT
ENTLADUNG
DECARGA

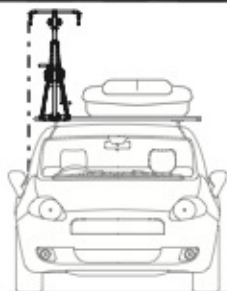




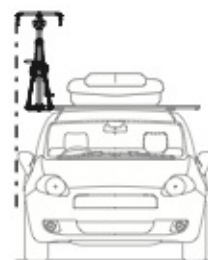
ATTENZIONE WARNING



OK



NO



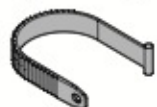
100km
STOP !!
CHECK

1000km
STOP !!
CHECK

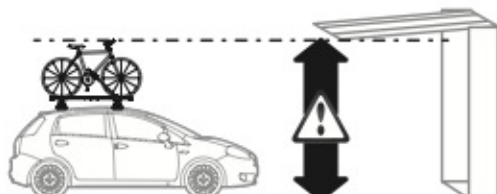
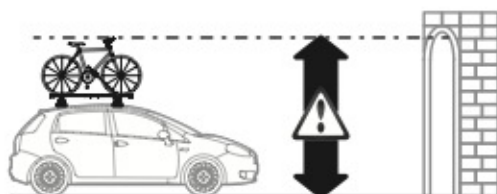
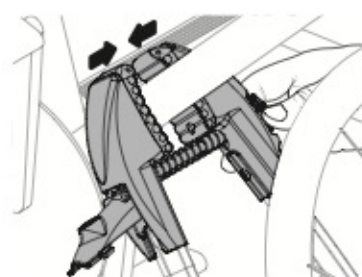
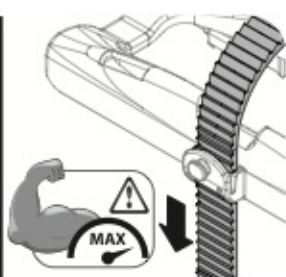
2000km
STOP !!
CHECK



OK



43PL003B



max: **130**Km/h

